



# American Concrete Industries

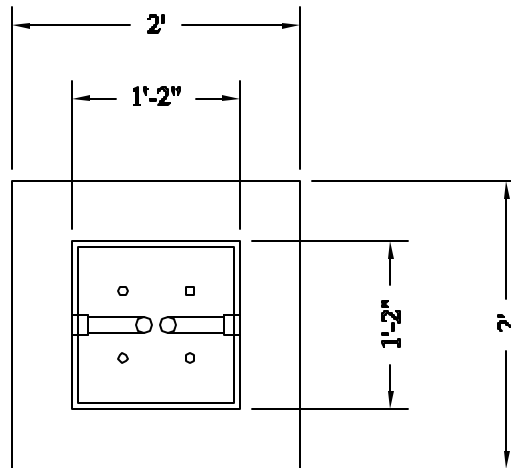
Type S-2 Light Pole Base

Catalog Section:

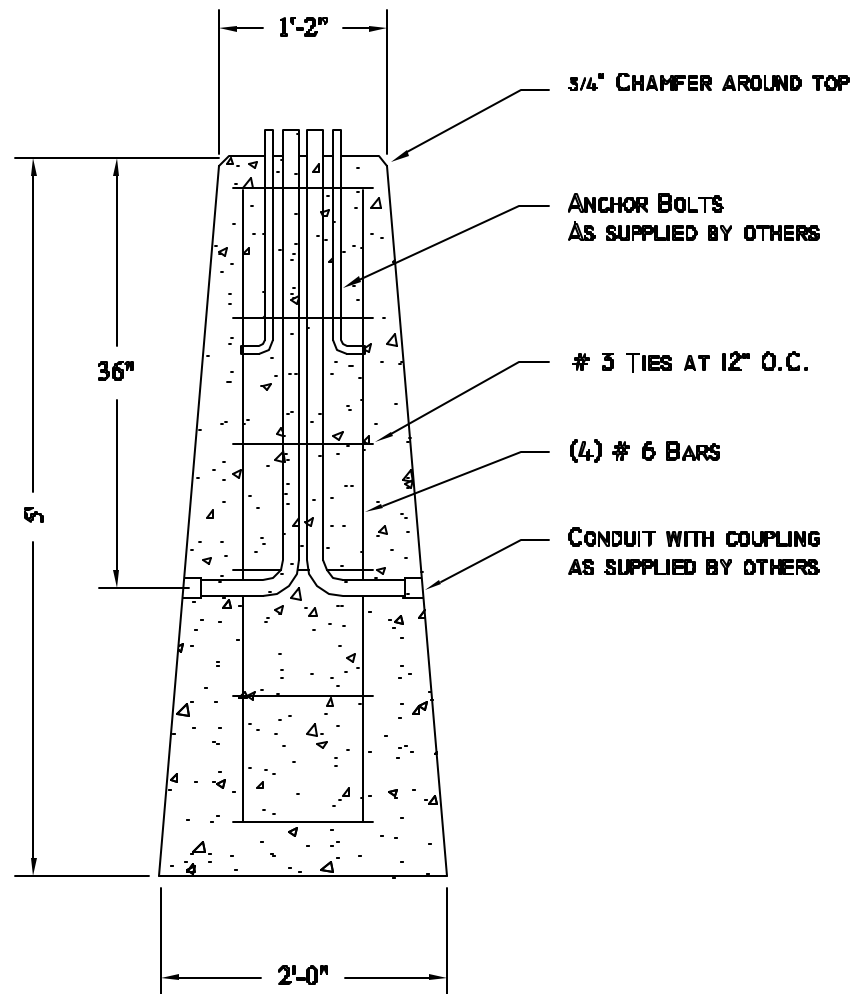
Layout Name:

## GENERAL NOTES:

1. 4000 PSI CONCRETE AT 28 DAYS.
2. NATURAL GRAY CONCRETE, STEEL FORM FINISH.
- 3 CONDUIT, ANCHOR BOLTS AND BOLT TEMPLATE TO BE SUPPLIED BY OTHERS.
4. WEIGHT = 2320 LBS.



PLAN



TYPICAL ELEVATION